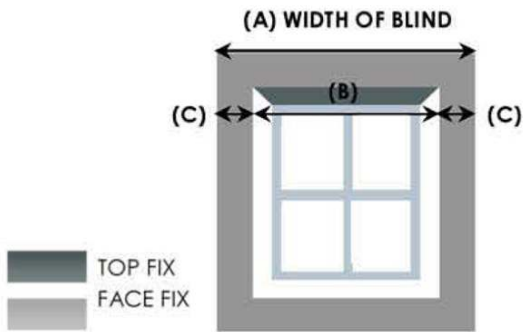


panel blinds fitting instructions

STEP 1



Outside Recess

- If the blind is to be fitted outside the window, ensure that measurement C is the same. C is simply equal to A minus B, divided by two. Follow instructions for FACE FIXING.

Inside Recess

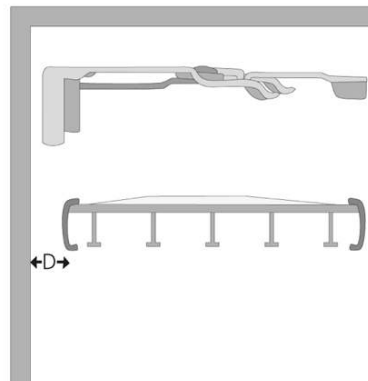
- If TOP FIXING, fix to the lintel if the window is uPVC or if there are no obstructions. If FACE FIXING, fit bracket to window frame.

STEP 2

QUANTITY OF BRACKETS	BLIND SIZE (MM)
2	400 - 999
3	1000 - 1599
4	1600 - 2199
5	2200 - 2799
6	2800 +

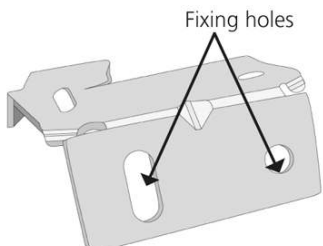
Top fixing – Standard Bracket

Measure and mark the distance (D), allowing for obstructions like handles that protrude into the recess area. Mark this measurement on the lintel and align the back of the bracket with this line. Fix the bracket into position using the fixing holes.



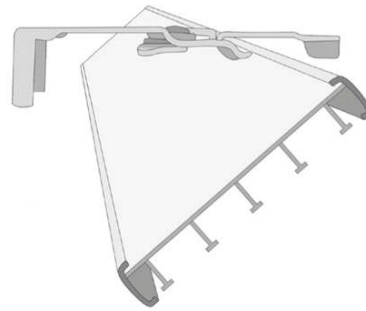
Face Fixing – Standard Bracket

Affix bracket using fixing holes.

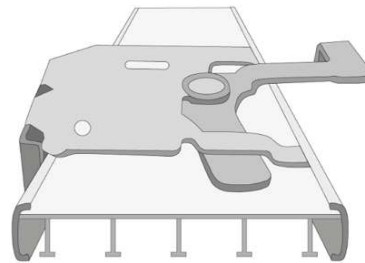


STEP 3

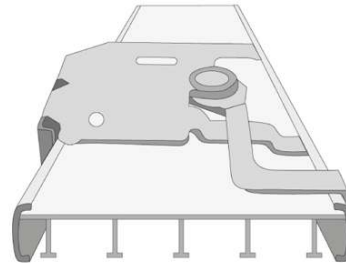
Installation



Tilt the headrail so the profile of headrail fits on to the front of the bracket.

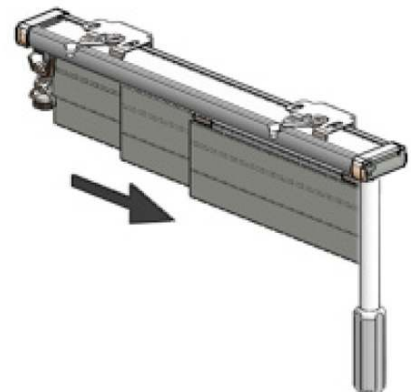


Snap close the arm on the bracket. This will ensure the headrail is held securely in place.



STEP 4

Operation



Wand control – use the wand to slide out / in the panels on the blind.