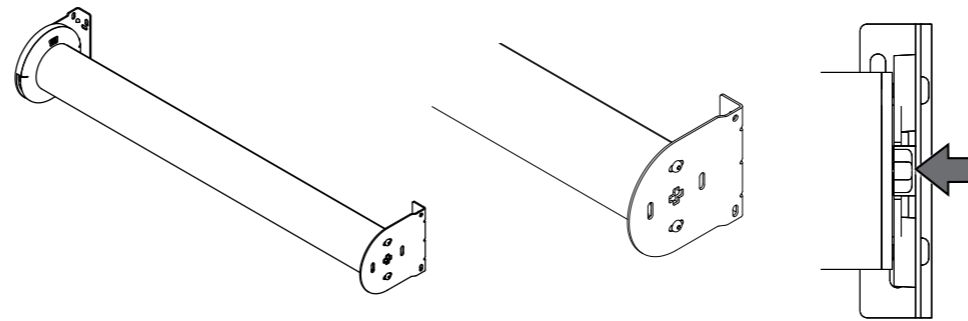


## REMOVAL OF BLIND (OUTSIDE A RECESS)

removal instructions

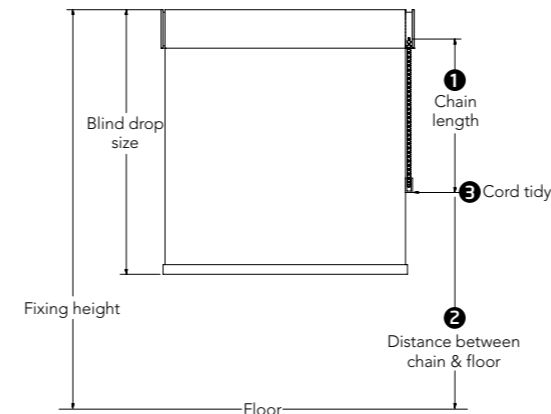


After removing the locking body push the plunger from the outside of the idle end bracket and remove the blind from the bracket. Then pull the blind out of the slots on the Control End Bracket.

### FOR CHILD SAFETY

#### TENSIONED SYSTEM WITH CORD TIDY

1. If fixing height is unknown
  - Blind drop  $\leq$  2.5 metres, the chain length must be  $\leq$  1 metre.
  - Blind drop  $>$  2.5 metres, the chain length must be drop of blind minus 1.5 metres.
2. If fixing height known: All blind drop sizes, distance between floor and bottom of chain must be greater than 1.5 metres.
3. Cord tidy: Affix cord tidy to wall at the maximum distance possible from the blind control mechanism ensuring all operating cords are taut (chain no more than 50mm apart at entry/exit of cord tidy).



## ROLLER SYSTEM 55 EASI LIFT™ fitting and removal instructions

JUNE 2017

S224402-55

t: 0161 882 5050 e: sales@louvolite.com w: www.louvolite.com

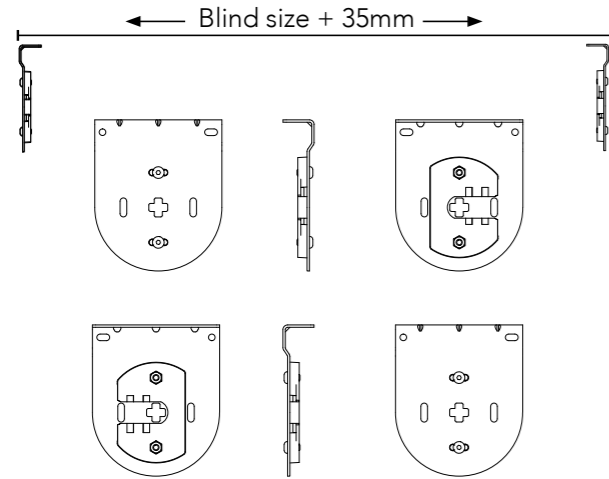
**LOUVOLITE**

**LOUVOLITE**

# ROLLER SYSTEM 55 EASI LIFT™

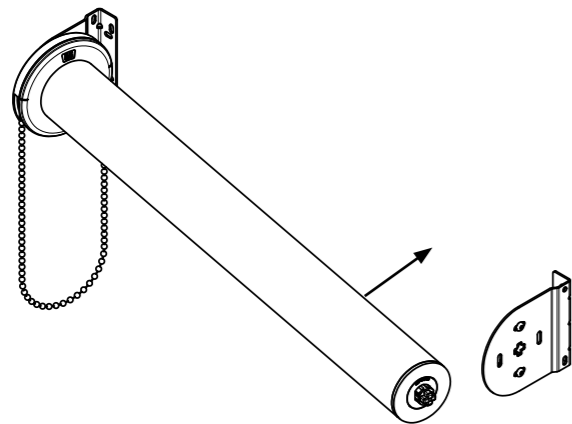
## fitting instructions

The fitting brackets should be fixed level and measure 35mm wider than the fabric width.

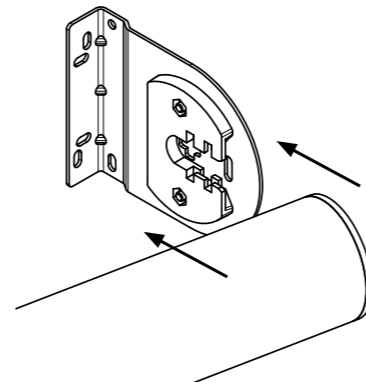


Fix the bracket so the outsides of the brackets are the correct distance apart, with the Adaptor Plate already located in correct orientation. i.e. top/face fix and/or left hand/right hand

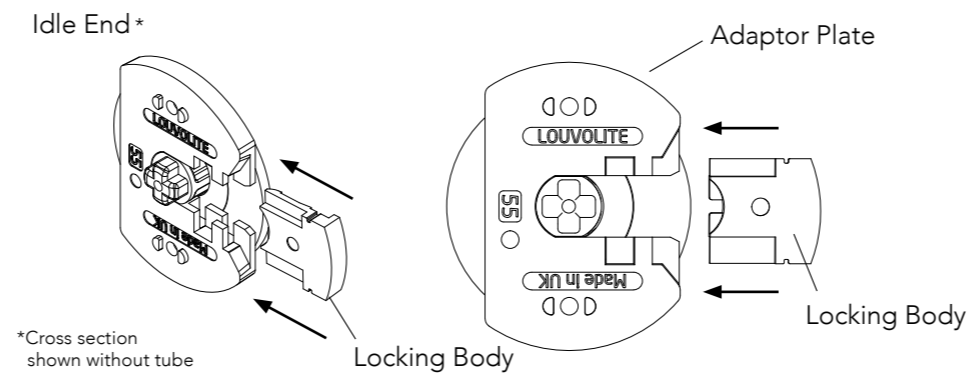
Firstly place Control End Unit into the bracket so it sits into the locating lugs.



Offer the Idle End to the bracket and then depress the plunger (when pushed against the bracket plunger it will compress) so it can slide into the Adaptor Plate - then locate this into the cross section of the bracket. Blind should now remain firmly in position. If movement occurs, turn plunger cross end until located into bracket. Confirm the plunger is fixed into position by checking it is fully engaged into bracket.

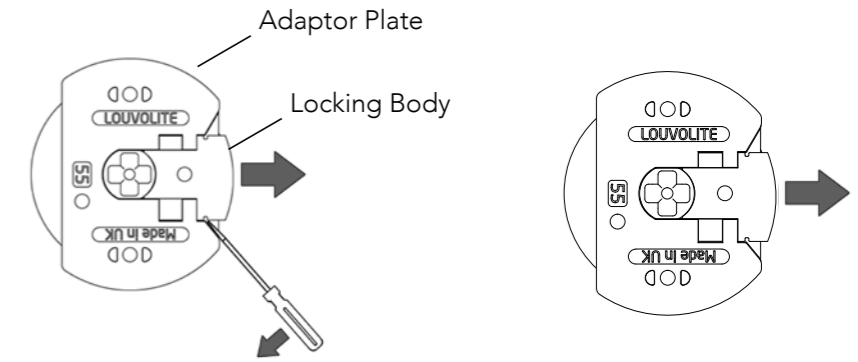


Push the locking body into the bracket adaptor (this will only locate one way). Ensure locking body is fully engaged into adaptor plate.



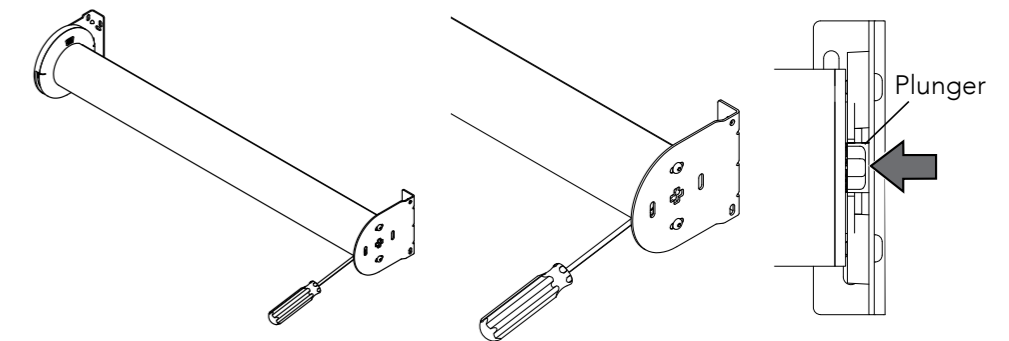
# ROLLER SYSTEM 55 EASI LIFT™

## removal instructions



First remove Adaptor Plate Locking Body using a flat head screw driver. Ensure locking body is completely removed before attempting to remove blind.

### REMOVAL OF BLIND (IN A RECESS)



After removing locking body using a flat head screwdriver and insert it down the space vacated by the Locking Body and prise the plunger away from the bracket. Compression of the spring allows the plunger to be removed.