

Deluxe System ROMAN BLINDS

FITTING GUIDE

Tools Required



Child Safety

Young children can be strangled by loops in pull cords, chains, tapes and inner cords that operate the product. To avoid strangulation and entanglement, keep cords out of the reach of young children.

Cords may become wrapped around a child's neck. Move beds, cots and furniture away from window covering cords. Do not tie cords together. Make sure cords do not twist and create a loop.



Safety Device

This product has been supplied with a fixed chain/cord tensioning system & break away safety clips attached to each cord on the reverse of this blind. These components should be installed correctly and have been supplied to make this blind safe in line with the new child safety regulations outlined in BS EN13120.

In order to comply with BS EN13120 the fixed retaining device provided with this blind should be installed at the maximum distance possible from the control mechanism to prevent the looped pull cords/chain becoming slack.

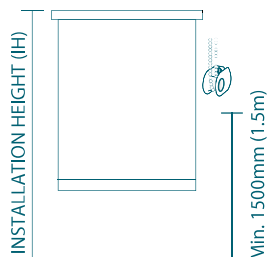


The break away safety clips that are attached to each panel and cord on the reverse of the blind will break away from the front of the clip if any reasonable weight is placed on the cord on the back of the blind. Our clips will break away leaving one side of the clip on the tape and the other on the cord.

Fitting The Safety Device

Ensure length of operating chain is in compliance with BS EN13120 and the fixed retaining device together with chain should be fitted a minimum of 1500mm (1.5m) from the floor.

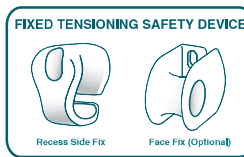
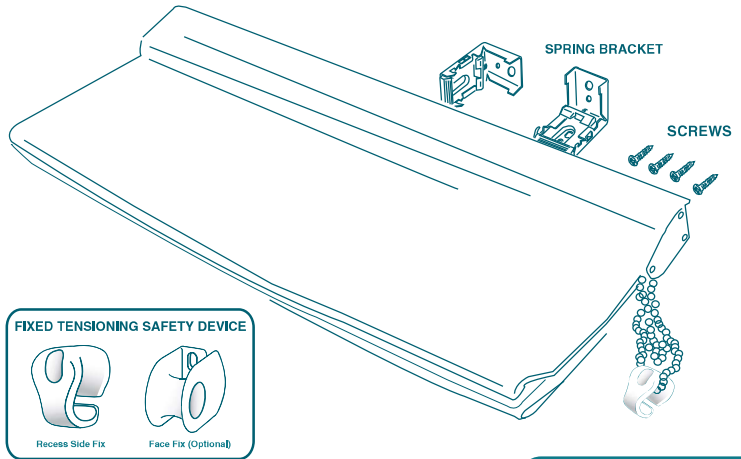
1. Position the fixed tensioning device with chain through the hook at maximum distance possible from the control mechanism and mark hole position on substrate. Make sure the chain is fully taut vertically
2. Drill pilot hole and screw device into position. Use applicable wall plugs if required. For the face fix version of, you will need to two holes.
3. Ensure the distance between the two strands of the loop is not more than 50mm at the point of exit from the device.



WARNING

Children can strangle if this safety device is not installed. Always use this device to keep cords or chains out of reach of children.

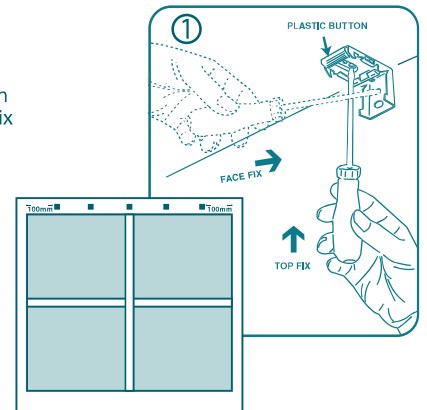
Roman Deluxe System



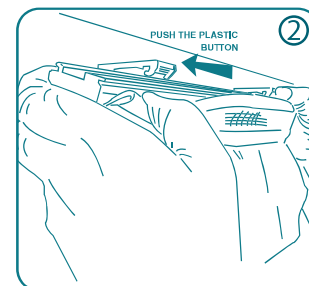
Preparation

1. Confirm the location of the brackets on the window, options are: Top fix or face fix as shown in Fig.1.

2. Mark with a pencil where the brackets are to be fixed. The first two brackets should be placed as close to the ends of the blind as possible, ensuring that the brackets avoid the control mechanism. Larger blinds will require the remainder of the brackets supplied to be spaced evenly throughout the width of the head rail to ensure sufficient support. Avoid the string supports when marking the positions of the extra brackets



Fitting The Blind



1. Install brackets firmly into place, use raw plugs where necessary to ensure brackets are securely fitted.
2. Slowly remove the velcro fixing attaching the fabric on your blind to the headrail. This will help install the rail onto the brackets.
3. Insert the head rail whilst pushing the plastic button as shown in Fig 2. Ensure that the head rail groove is properly placed in the bracket lock, and then release the button.
4. Secure fabric back onto headrail ensuring the top of the fabric covers the brackets.
5. Install the Fixed Tensioning Safety Device at least 1500mm (1.5m) from the floor to ensure the blind is fitted as per the new child safety legislation. (See Child Safety Section)

Operating Your Blind

1. To allow your blind to raise or fall, pull the chain through the Fixed Tensioning Safety Device. See Fig 3 Please ensure you do not continue pulling the chain once the blind is fully retracted as this will tangle the inner cords in the headrail and will not allow the blind to operate correctly.



To Remove The Blind For Cleaning

If you need to remove the blind from the brackets, press the release tab at the top of each bracket and tilt the headrail backwards. See Fig.4

